

Stainless Steel Hose Reel Series 888/889 and 893

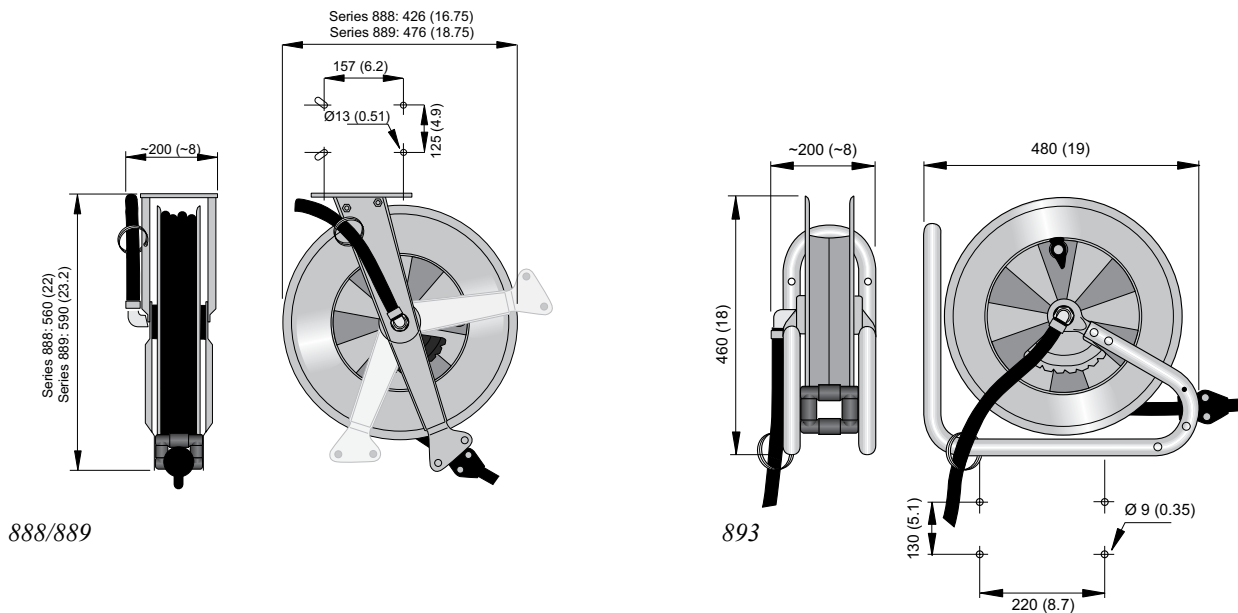
Suitable for tough indoor and outdoor environments. Their very high corrosion resistance means that they can withstand exposure to high air humidity and to chemicals.

- All components manufactured in stainless steel
- Open design facilitates cleaning
- Adjustable outlet minimizes friction



888/889

893



888/889

893

Stainless Steel Hose Reel Series 888/889

Use for	Max. working pressure, MPa (psi)	Distribution hose, Int. Ø, mm (in)	Distribution hose, Length, m	Connection hose, Int. Ø, mm (in)	Connection hose, Length, m	Hose material	Hose type (see page 21)	Weight, kg	Reel with hose Part no.	Reel without hose Part no.
Water – food grade hose	2.0 (290)	12.5 (1/2)	10	12.5 (1/2)	1	Rubber	E	14-18	30803688	30803588
Water – food grade hose	2.0 (290)	12.5 (1/2)	15	12.5 (1/2)	1	Rubber	E	14-18	30803689	30803589
HP water	25 (3625)	10 (3/8)	15	10 (3/8)	1	Rubber	G	14-18	30803888	30803788
HP water	25 (3625)	10 (3/8)	20	10 (3/8)	1	Rubber	G	14-18	30803889	30803789

Material recycling: 100%

Stainless Steel Hose Reel Series 893

Use for	Max. working pressure, MPa (psi)	Distribution hose, Int. Ø, mm (in)	Distribution hose, Length, m	Connection hose, Int. Ø, mm (in)	Connection hose, Length, m	Hose material	Hose type (see page 21)	Weight, kg	Reel with hose Part no.	Reel without hose Part no.
Water – food grade hose	2.0 (290)	12.5 (1/2)	10	12.5 (1/2)	1	Rubber	E	14-18	30803293	30803193
HP water	25 (3625)	10 (3/8)	15	10 (3/8)	1	Rubber	G	14-18	30803493	30803393

Material recycling: 100%

Accessories: see page 21

Product availability may differ by country